

**mott**  
MANUFACTURING

ISO 9001:2015 REGISTERED

# OVAL AIR STATION

**Ventilated** Workstation



QUALITY BY DESIGN



## Learning Collaboration

Technology is an essential part of a well thought out and designed learning environment in STEM learning facilities.

Oval Air Stations provide a ventilated workstation for student experiments, while providing clear views within the classroom. With its curved work top, several students are able to collaborate simultaneously on their science project.



## Odor Reduction

Workstations pull air, odors, vapors, and aerosols down and away from the face of students when connected to a negative air source.



## Oval Air Station

Designed for use in STEM (science, technology, engineering, and math) learning environments.

We manufacture our Oval Air Station as outlined below. However, today's laboratories often require customization, and to meet your unique needs, we can configure and manufacture to meet your specific requirements. Simply contact us with your needs!

### Overall Assembly Dimensions -

Overall assembly is 96" wide x 72" deep x 48-3/4" high with work surface located at 35-3/4" high.

**Plumbing** - Three fixtures (Vacuum, Air and Gas), plus cold water provided per side; factory pre-piping down is standard to utilities below.

**Work Surface & Sinks** - Two single 16" long x 9" wide x 8" deep (ID) "D" shaped compartment sinks and two-tiered 1" thick black epoxy work surfaces provided.

**Access Panel** - Removable type 304 stainless steel perforated access panels for easy accessibility to electrical and plumbing components, makes installation and maintenance easy.

### Optimized Classroom Viewing -

Improves sight lines because it lessens the need for overhead snorkels.



**Storage** - Two 36" wide Maple Full Flush Overlay door cabinets with removable backs provided each cabinet has one adjustable shelf.

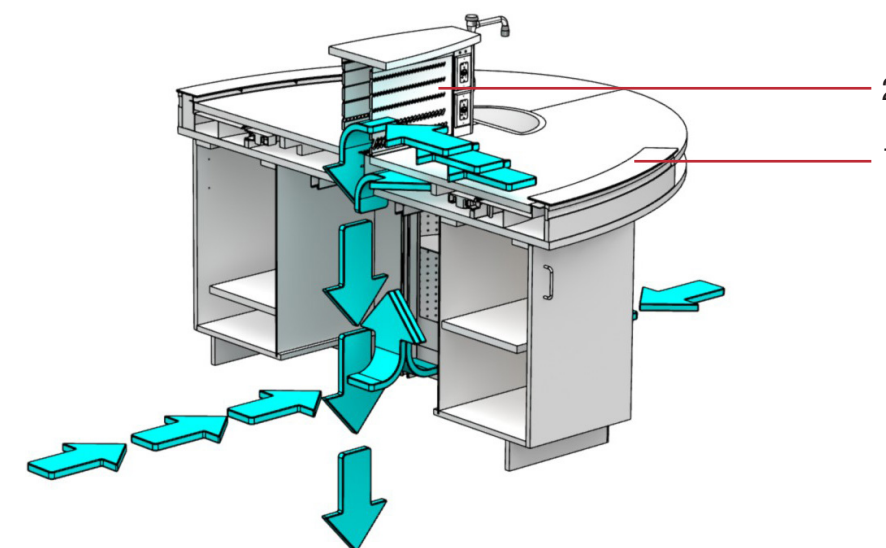
**Exhaust Collar** - 3" x 10" rectangular exhaust collar (exhaust transitions and dampers by others).

**Indicator Alert** - Indicator available to alert users if main exhaust system shuts off.

**Electrical** - Two UL/CSA approved GFI 120v/20amp duplex receptacles provided per side; data is an available option. Factory pre-wiring is standard to utilities below.

**Circuits** - Three circuits is standard, one per two duplexes per side and one dedicated to the fans.

**Airflow** - Push fan provides constant airflow and is housed in drawer which is removable with push pin locks to allow for easy cleaning in case of a spill.



**Capturing Fumes** - The push drawer (1) and exhaust housing (2) work together to capture fumes.

The internal fan pushes air across the work surface towards the exhaust housing, then the exhaust housing pulls the supplied air down into the building's exhaust system.

An HED vision, engineered by Mott.



Products **designed** for your lab.  
Explore our **solutions**.

[www.mott.ca](http://www.mott.ca)

**mott**  
GROUP OF COMPANIES

Steel Division & HQ - 452 Hardy Rd, Brantford ON, Canada N3T 5L8 • T. 519.752.7825  
Panel Products Division - 562 Industrial Park Rd, Maxwellton WV, USA 24957 • T. 304.497.2115

---

QUALITY BY DESIGN

2022.07